

- LEGEND:**
- DENOTES MONUMENT FOUND
  - DENOTES MONUMENT PLANTED
  - DENOTES ROCK POST
  - DENOTES SQUARE IRON BAR
  - DENOTES ROUND IRON BAR
  - DENOTES STANDARD IRON BAR
  - DENOTES SHORT STANDARD IRON BAR
  - (95) DENOTES POST 3/4" IRON
  - (94) DENOTES E. HALLIKEN, O.L.S.
  - (93) DENOTES K.L. BEACON, O.L.S.
  - (92) DENOTES T.L. GLASSFORD, O.L.S.
  - (91) DENOTES P.R. KITCHEN, O.L.S.
  - (90) DENOTES DEARBORN, STANTON, STONES & STRONGMAN LTD
  - (89) DENOTES S.E. MARSH, O.L.S.
  - (88) DENOTES J.K. WHITE, O.L.S.
  - (87) DENOTES ORIGIN UNKNOWN
  - (P) DENOTES MTO PLAN P-3356-11
  - (P1) DENOTES PLAN 42R-3718
  - (P2) DENOTES PLAN 42R-3718
  - (P3) DENOTES PLAN 42R-3754
  - (P4) DENOTES PLAN 42R-3033
  - (P5) DENOTES PLAN 42R-10946
  - (M) DENOTES MINISTRY OF TRANSPORTATION, ONTARIO
  - N-N- DENOTES FENCE LINE
- NOTE:**  
 BEARINGS ARE ASTROMERIC DERIVED FROM SOLAR OBSERVATIONS AND REFERRED TO THE MERIDIAN PASSING THROUGH THE SOUTHEAST CORNER OF LOT 16, CONCESSION 10 - LONGITUDE = 79° 27' 30".  
 DISTANCES HEREON ARE IN FEET AND DECIMALS THEREOF.

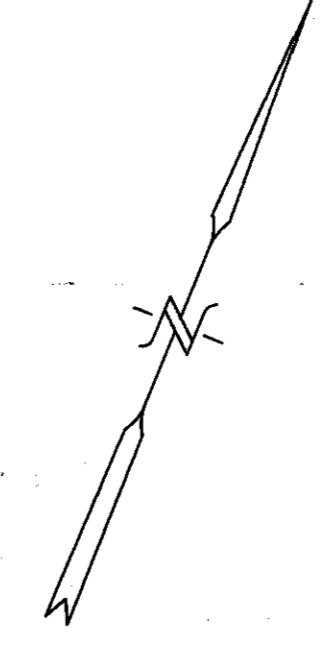
PLAN OF SURVEY  
 OF PART OF  
**LOT 16  
 CONCESSION 9**  
 AND PART OF  
**LOTS 16 AND 17  
 CONCESSION 10**  
 TOWNSHIP OF McMURRICH  
 DISTRICT OF PARRY SOUND  
 KEITH I. BEACON, O.L.S. C.L.S.  
 1993

SCALE: 1" = 100'  
 100' 50' 0' 100'

**SURVEYOR'S CERTIFICATE:**

I CERTIFY THAT:  
 (1) THIS SURVEY AND PLAN ARE CORRECT AND IN ACCORDANCE WITH THE SURVEY ACT, THE REGISTRY AND LAND TITLES ACTS AND THE REGULATIONS MADE THEREUNDER;  
 (2) THE SURVEY WAS COMPLETED ON THE 4TH DAY OF FEBRUARY, 1993.

FEB. 4, 1993  
 KEITH I. BEACON  
 ONTARIO LAND SURVEYOR  
 CANADA LANDS SURVEYOR

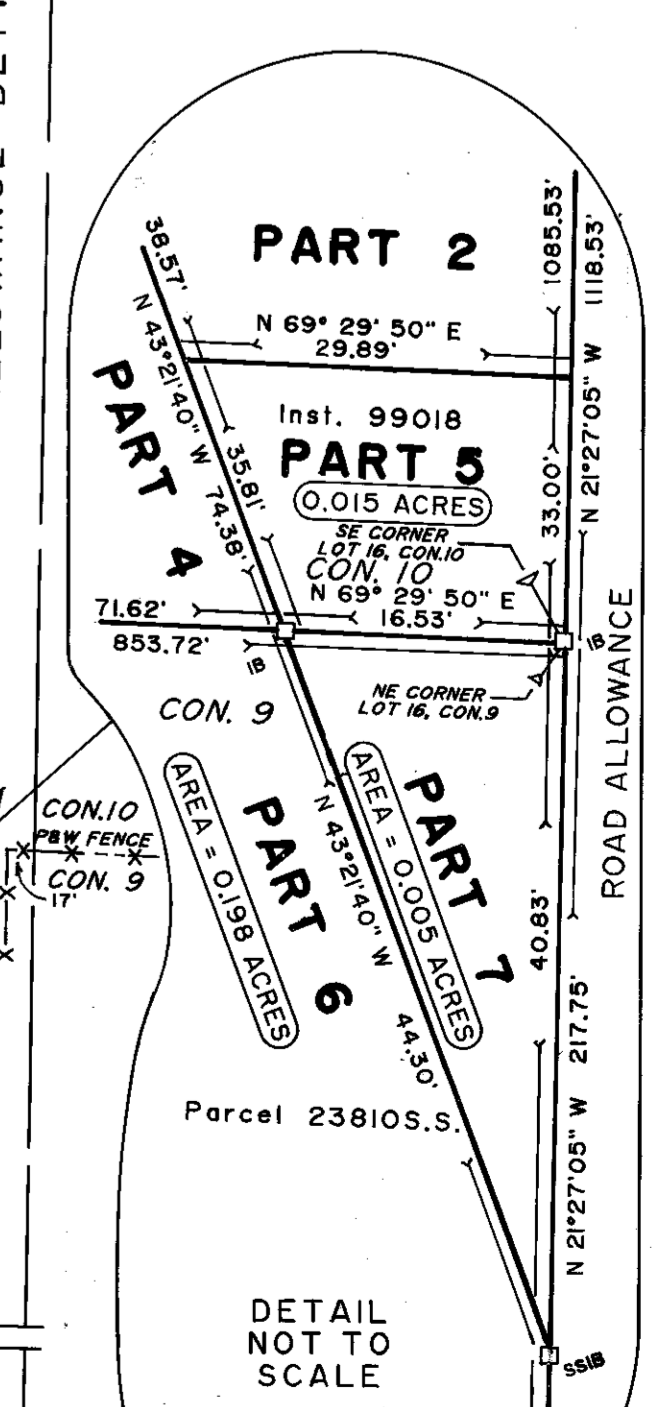
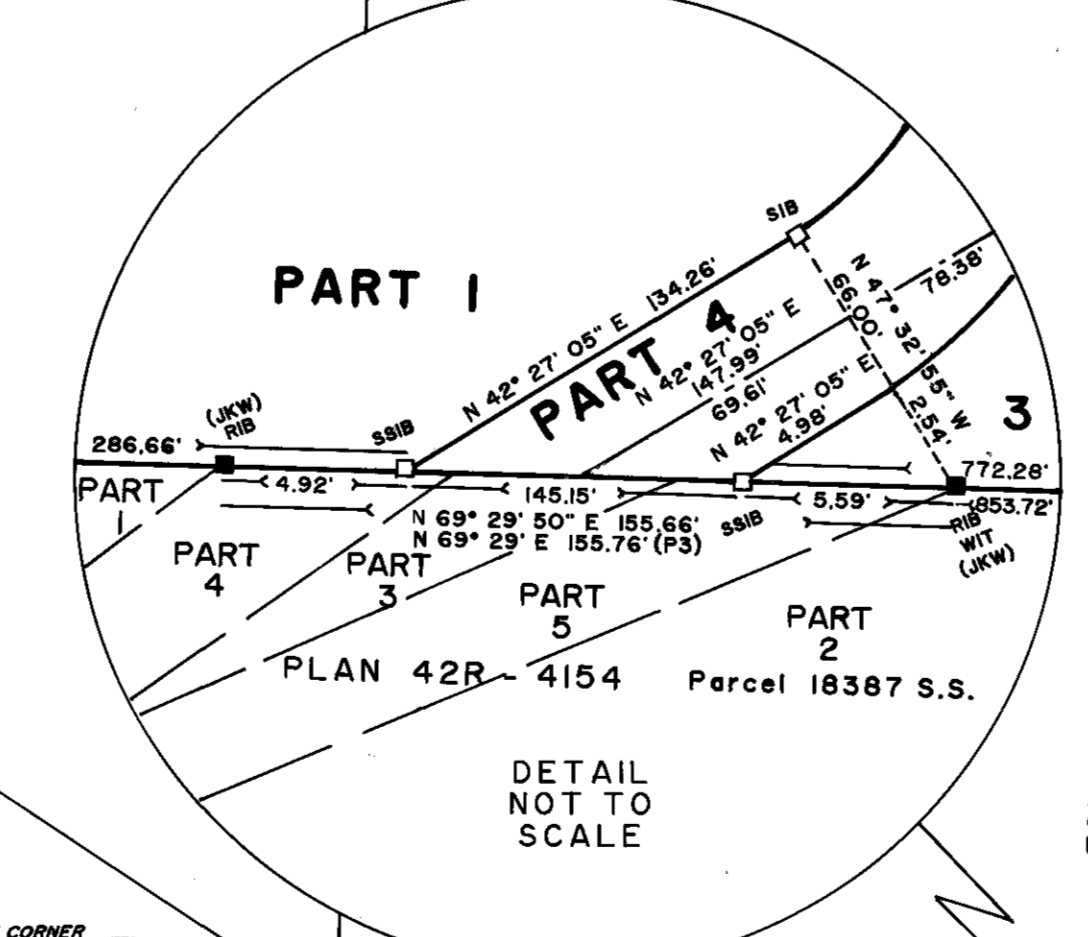
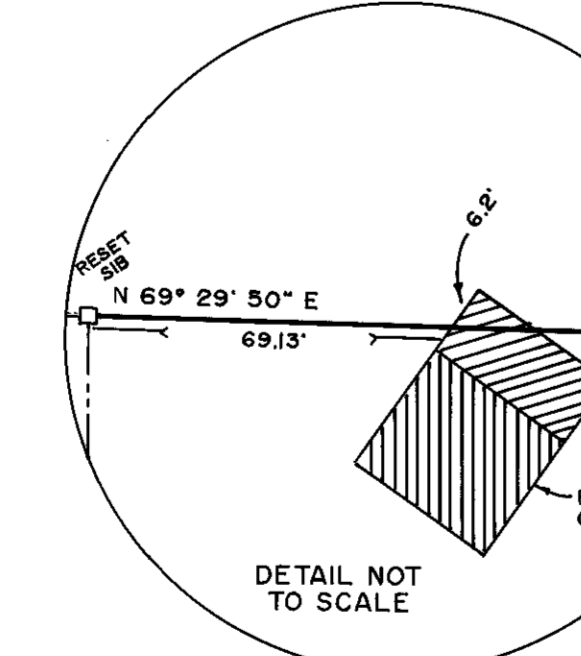
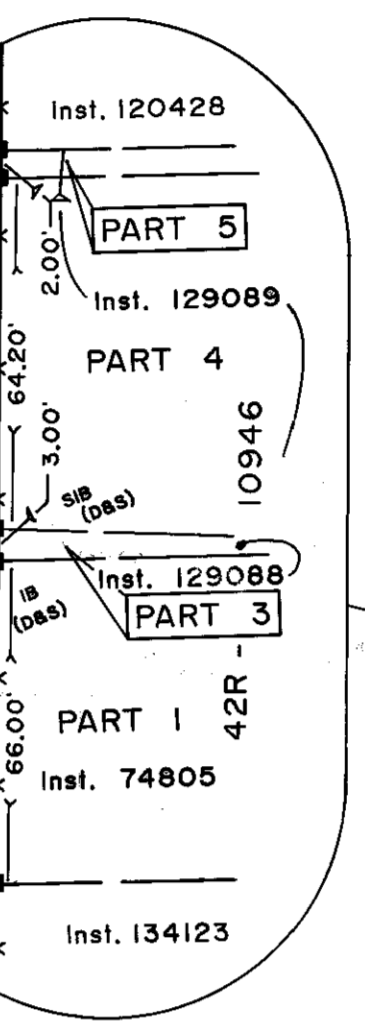
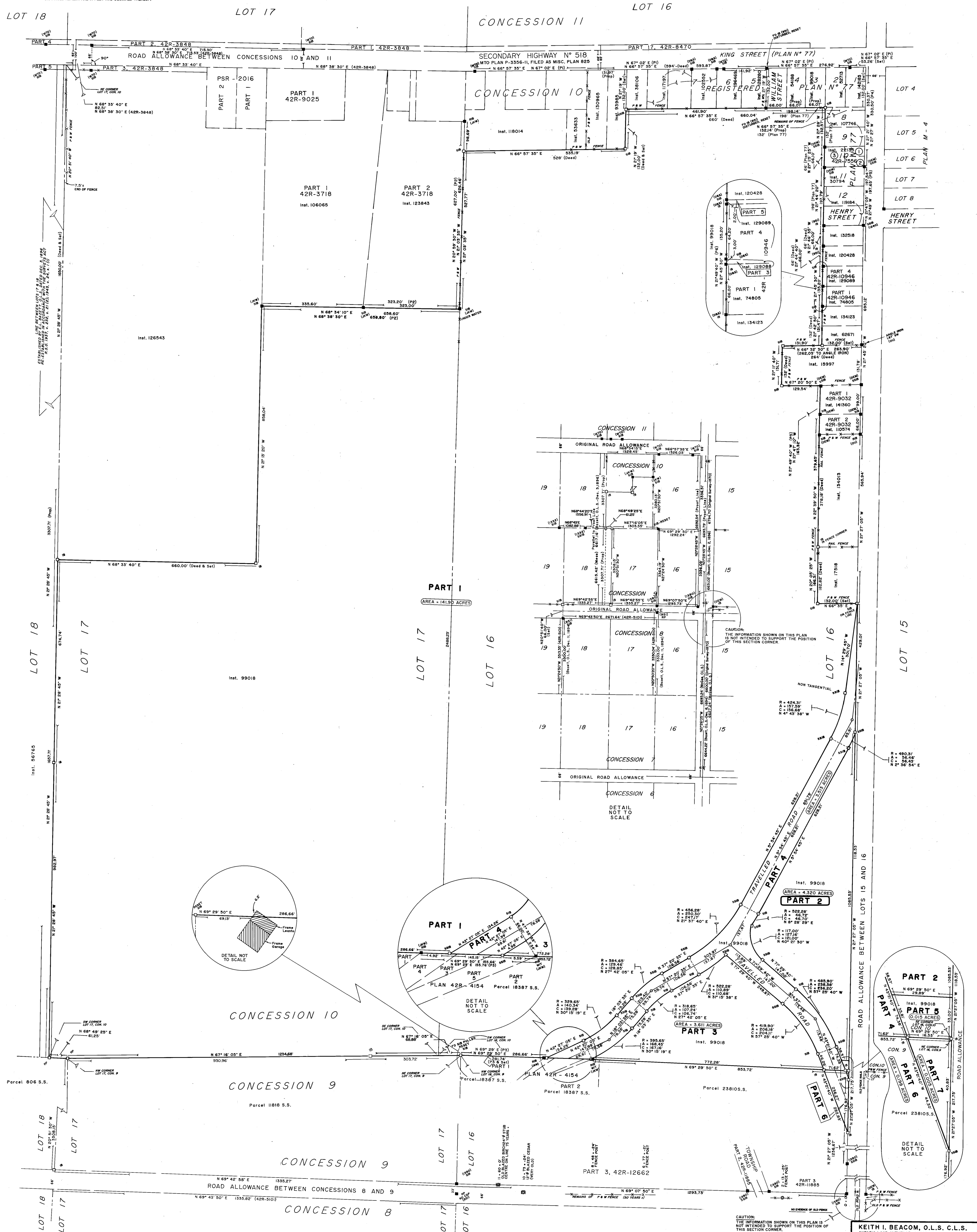


**PLAN 42R-129816**  
 RECEIVED AND DEPOSITED  
 DATE: MARCH 01, 1993

KEITH I. BEACON  
 ONTARIO LAND SURVEYOR  
 CANADA LANDS SURVEYOR

CAUTION: THIS PLAN IS NOT A PLAN OF SUBDIVISION WITHIN THE MEANING OF THE PLANNING ACT.

REGISTRY OFFICE SCHEDULE			
PART 1	PART OF LOTS 16 & 17	CONCESSION 10	PART OF INSTRUMENT 99018
PART 2	PART OF LOT 16		
PART 3	PART OF LOT 16		
PART 4	PART OF LOT 16		
PART 5	PART OF LOT 16		
LAND TITLES SCHEDULE			
PART 6	PART OF LOT 16	CONCESSION 9	PART OF PARCEL 23810 S.S.
PART 7			



CAUTION: THE INFORMATION SHOWN ON THIS PLAN IS NOT INTENDED TO SUPPORT THE POSITION OF THIS SECTION CORNER.

KEITH I. BEACON, O.L.S. C.L.S.  
 ONTARIO LAND SURVEYOR CANADA LANDS SURVEYOR  
 100 HEBBURN STREET, SUITE 100, WILLOWDALE, ONTARIO M2H 1G1  
 (416) 491-7550 FAX (416) 491-7551